



# 1390 Hoftrac

## Technical Data

### ■ Standard engine data

Engine manufacturer	Yanmar
Motor type	3TNV80FT
Cylinder	3
Drive output	18.4 kW
Drive output	25 PS
at max. rpm	2,600 U/min
Cylinder capacity	1,226 cm <sup>3</sup>
Type of coolant	Water
Exhaust standard level	V
Exhaust aftertreatment	-
Average sound power level LwA (operator's canopy)	99.3 dB(A)
Guaranteed sound power level LwA (operator's canopy)	101 dB(A)
Specified sound pressure level LpA (operator's canopy)	84 dB(A)
Average sound power level LwA (cabin)	99.3 dB(A)
Guaranteed sound power level LwA (cabin)	101 dB(A)
Specified sound pressure level LpA (cabin)	80 dB(A)

### ■ Engine data Option 1

Engine manufacturer	Yanmar
Motor type	3TNV86CHT
Cylinder	3
Drive output	33.3 kW
Drive output	45.3 PS
at max. rpm	2,600 U/min
Cylinder capacity	1,568 cm <sup>3</sup>
Type of coolant	Water
Exhaust standard level	V
Exhaust aftertreatment	DOC/DPF
Average sound power level LwA (operator's canopy)	98.1 dB(A)
Guaranteed sound power level LwA (operator's canopy)	100 dB(A)

Specified sound pressure level LpA (operator's canopy)	84 dB(A)
Average sound power level LwA (cabin)	98.1 dB(A)
Guaranteed sound power level LwA (cabin)	100 dB(A)
Specified sound pressure level LpA (cabin)	80 dB(A)

### ■ Engine data Option 2

Engine manufacturer	Yanmar
Motor type	3TNV86CHT
Cylinder	3
Drive output	40.1 kW
Drive output	54.5 PS
at max. rpm	2,600 U/min
Cylinder capacity	1,568 cm <sup>3</sup>
Type of coolant	Water
Exhaust standard level	V
Exhaust aftertreatment	DOC/DPF
Average sound power level LwA (cabin)	97.7 dB(A)
Guaranteed sound power level LwA (cabin)	100 dB(A)
Specified sound pressure level LpA (cabin)	76 dB(A)

### ■ Electrical system

Operating voltage	12 V
Battery	77 Ah
Alternator	80 A

### ■ Weights

Operating weight	2,750 - 3,200 kg
Thrust force (max.)	2,158 - 3,492 daN
Lift capacity (max.)	2,448 - 3,592 daN
Tipping load with bucket – machine straight, loading frame horizontal	1,520 - 2,130 kg
Tipping load with bucket – machine pivoted, loading frame horizontal	1,230 - 1,840 kg
Tipping load with bucket - machine straight, loading frame in lowest position	2,250 - 3,340 kg

The illustrations, equipment and data shown may deviate from the current delivery program of your country. Optional equipment subject to additional charge may be shown. Subject to changes.

Tipping load with bucket - machine pivoted, loading frame in lowest position	1,850 - 2,890 kg
Tipping load with pallet fork – machine straight, loading frame horizontal	1,270 - 1,770 kg
Tipping load with pallet fork – machine pivoted, loading frame horizontal	1,030 - 1,530 kg
Tipping load with pallet fork - machine straight, transport position	1,480 - 2,130 kg
Tipping load with pallet fork - machine pivoted, transport position	1,220 - 1,850 kg

#### ■ Driver's cab

Driver's cab	FSD (eps, cabin)
--------------	------------------

#### ■ Filling levels

Tank capacity for fuel	50 l
Tank capacity for hydraulic oil	30 l

#### ■ Drive system

Type of drive	ecDrive (Electronic Controlled Drive)
drive unit	Hydrostatic via transfer gearbox and universal joint shaft
Speed levels	2
Axle	T94 (PA940)
Travel speed Standard	0-20 km/h
Travel speed Option 1	0-30 km/h
Operating brake	Multi-disc brake on front axle acting on rear axle via universal joint shaft

Parking brake Electro-hydraulic multi-disc brakes with spring suspension in the front axle acting on rear axle via articulated universal joint shaft

Differential lock	100% VA + HA (option)
-------------------	-----------------------

#### ■ Hydraulic system

Drive hydraulics working pressure (max.)	380 (400-470) bar
Work hydraulics discharge volume (max.)	41,6 (49,5-84) l/min
Work hydraulics working pressure (max.)	210 bar

#### ■ Kinematics

Kinematics type	P (PZ)
Lifting cylinder	2
Tipping cylinder	1
Quick change system	hydraulic

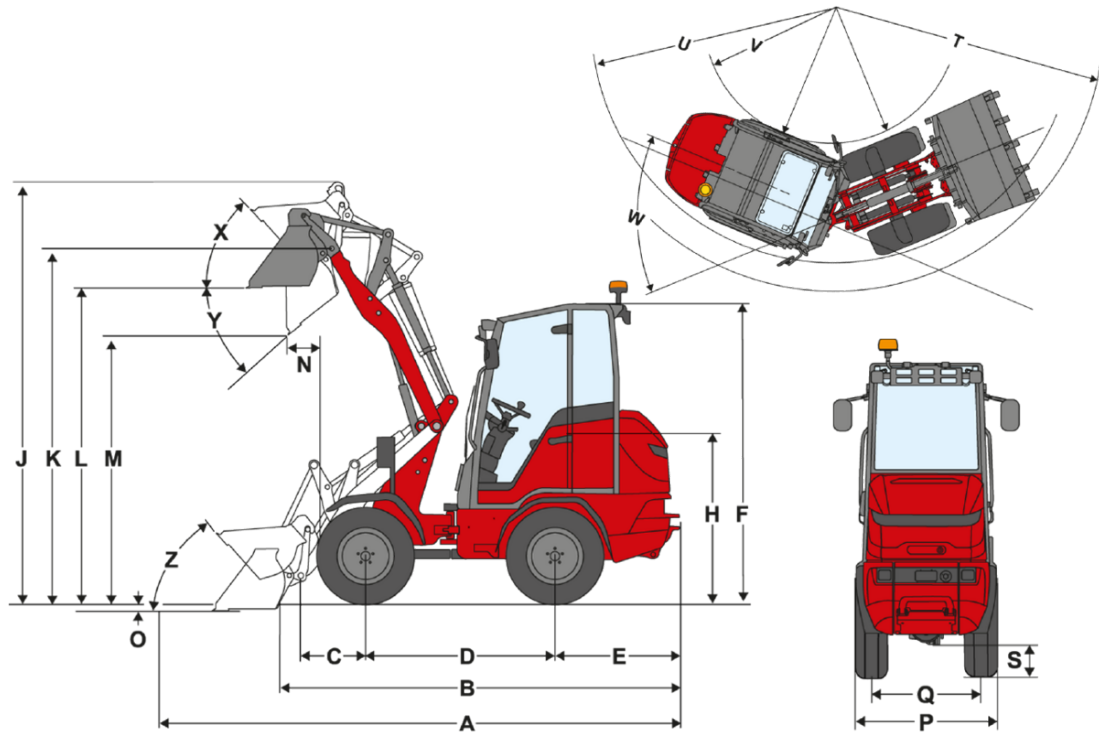
#### ■ Steering

Steering type	hydraulically activated articulated pendulum steering
Steering cylinder	1
Oscillating angle	± 8 degree

#### ■ Other information

FSD = operator's canopy  
eps = Easy Protection System (fold-down operator's canopy)  
DPF = diesel particulate filter  
DOC = diesel oxidation catalyst  
Tipping load calculation pursuant to ISO 14397

## Dimensions



		<b>P-kinematics (standard)</b>	<b>P-kinematics (long)</b>	<b>PZ-kinematics</b>
	Standard components	10.0/75 - 15.3 AS ET40	10.0/75 - 15.3 AS ET40	10.0/75 - 15.3 AS ET40
<b>A</b>	Total length	4,470 mm	4,820 mm	4,630 mm
<b>B</b>	Total length without bucket	3,570 mm	3,910 mm	3,730 mm
<b>C</b>	Bucket pivot point (to center of axle)	603 mm	878 mm	720 mm
<b>D</b>	Wheel base	1,732 mm	1,732 mm	1,732 mm
<b>E</b>	Rear overhang	1,230 mm	1,230 mm	1,230 mm
<b>F</b>	Height with operator's canopy fixed	2,320 mm	2,320 mm	2,320 mm
	Height with fold-down operator's canopy (eps)	2,375 mm	2,375 mm	2,375 mm
	Height with fold-down operator's canopy, folded down (eps)	1,870 mm	1,870 mm	1,870 mm
	Height with cab	2,340 mm	2,340 mm	2,340 mm
<b>H</b>	Seat height	1,330 mm	1,330 mm	1,330 mm
<b>J</b>	Total working height	3,660 mm	3,930 mm	3,830 mm
<b>K</b>	Bucket pivot point (max. lift height)	3,004 mm	3,200 mm	3,200 mm
<b>L</b>	Load-over height	2,680 mm	2,880 mm	2,880 mm
<b>M</b>	Dumping height	2,120 mm	2,330 mm	2,380 mm
<b>N</b>	Reach (at M)		490 mm	400 mm
<b>O</b>	Digging depth	80 mm	130 mm	127 mm
<b>P</b>	Total width	1,124 mm	1,124 mm	1,124 mm
<b>Q</b>	Track width	860 mm	860 mm	860 mm
<b>S</b>	Ground clearance			
<b>T</b>	Maximum radius	3,000 mm	3,150 mm	3,340 mm
<b>U</b>	Radius on the outer edge	2,710 mm	2,710 mm	2,980 mm
<b>V</b>	Inner radius	1,520 mm	1,520 mm	1,810 mm
<b>W</b>	Articulation angle	45 °	45 °	40 °
<b>X</b>	Rollback angle at max. lift height	42 °	65 °	57 °
<b>Y</b>	Dumping angle	43 °	42 °	37 °
<b>Z</b>	Rollback angle on ground	51 °	56 °	50 °

## Standard components

### Engine

- Yanmar 3 TNV 80 FT, 18.4 kW / 25 hp, stage V

### Tires

- 10.0/75 - 15.3 AS ET40

### Steering system

- Hydraulic articulated pendulum steering, pendulum angle:  $\pm 8^\circ$
- Steering cylinder: 1

### Operator's cab

- Operator's canopy with ROPS / FOPS tested restraint system, driver's platform can be tilted to the side
- Generous space in all operator's positions
- Ergonomically spacious entry
- Adjustable steering column (tilt and height)

### Operator's seat

- Fully damped comfort seat with safety belt, weight, back and height adjustment

### Lighting

- LED work lights, 2 front, 1 back on the operator's canopy

### Drive system & Axles

- Axle: T94
- Drive: hydrostatic via PTO gear and driveshaft, electronically controlled.
- Driving modes: Auto mode; ECO mode (reduction of engine speed when set speed is reached).
- Speed: 20 km/h
- Driving stages: 2 (7 km/h / 20 km/h), (Optional 30)
- Service brake: Multi-disc brake on front axle acting on rear axle via driveshaft
- Parking brake: Electro-hydraulic multi-disc brake with spring brake in the front axle, acting on rear axle via driveshaft incl. hill-hold function

### Loading system

- Loading swing arm: Lifting height 3040 mm
- Quick change device (Weidemann HV/HT - C ) hydraulic
- Kinematics: P
- Lifting cylinder: 2
- Tilting cylinder: 1
- Float position for lift and tilt cylinders

### Hydraulics

- Mechanically pilot controlled joystick with direction switch
- 3rd Front control circuit via lever with single detent for continuous function

### Other

- Cast rear weight

# Options

## Operator's cab

- Operator's canopy with ROPS/FOPS-tested fold-down eps
- Cabin, 2 one-piece doors
- Cabin, 2 two-piece doors
- Front and rear windshield incl. wipers front and rear
- Air-conditioning system
- Radio DAB+-ready (aerial, speaker)
- Radio DAB+ complete
- Sun shade

## Operator's seat

- Artificial leather seat; air cushioned
- Artificial leather seat; air cushioned; heated seat
- Fabric seat (standard with cab)
- Fabric seat; air cushioned
- Fabric seat; air cushioned; heated seat

## Lighting

- Lighting according to StVZO (width of the lighting outside: 1036 mm)
- LED lighting according to StVZO (width of the lighting outside: 1176 mm)
- Worklights LED Performance (2000 lm) on the overhead guard, 2 front, 2 rear
- Preparation of rotating beacon
- Rotating beacon LED (yellow), The national regulations must be observed!
- Rotating beacon (yellow) with magnetic base, National regulations must be observed!

## Approval & Road traffic

- Individual operating permit < 25 km/h
- Individual operating permit > 25 km/h
- License bracket front and rear

## Drive system & Axles

- Diesel engine Yanmar 3TNV86 33.3 kW / 45 hp (use from -15°C - +45°C!)
- Diesel engine Yanmar 3TNV86 40.1 kW / 55 hp (use from -15°C - +45°C!)
- Hand throttle
- Engine preheating (cooling water) + hydraulic oil preheating 230 V
- Planetary axle PA940, hydrostatic medium pressure all-wheel drive, 20 km/h (30 km/h), (PTO gear, driveshaft, differential lock 100%)
- PA940 planetary axle, hydrostatic high-pressure all-wheel drive, 20 km/h (30 km/h), (PTO gear, driveshaft, differential lock 100%)
- Thrust limitation
- Driving mode Auto / Eco / Attachments
- Driving mode Auto / Eco / M-Drive
- 30 km/h (speed increase)
- Speed limiter proportional (slow speed increase)

## Tires

- 10.0/75-15.3 AS ET80, profile AS, width 1044 mm, height 2320 mm
- 10.0/75-15.3 AS ET-5, profile AS, width 1214 mm, height 2320 mm
- 11.5/80-15.3 AS ET40, profile AS, width 1150 mm, width turned 1340 mm, height 2363,5 mm
- 31x15.50-15 AS ET0, profile AS, width 1310 mm, height 2315 mm
- 31x15.50-15 AS ET-37, profile AS, width 1394 mm, height 2330 mm
- 31x15.50-15 AS ET0 Starco, profile AS, width 1320 mm, height 2320 mm
- 31x15.50-15 AS ET-37 Starco, profile AS, width 1394 mm, height 2320 mm
- 15.0/55-17 AS ET0, profile AS, width 1310 mm, height 2375 mm
- 15.0/55-17 AS ET-40, profile AS, width 1400 mm, height 2375 mm
- 425/55 R 17 AS ET-40 Alliance 570, profile AS, width 1445 mm, height 2375 mm
- twin tires 11.5/80-15.3 AS front, profile AS, width 1780 mm, height 2363,5 mm
- 31x15.50-15 EM ET0, profile EM, width 1340 mm, height 2325 mm
- 31x15.50-15 EM ET-37, profile EM, width 1414 mm, height 2325 mm
- 12-16.5 EM ET45, profile EM, width 1155 mm, width turned 1350 mm, height 2340,5 mm
- 425/40 B17 ET0 PR14 Delcora GSP+, profile EM, width 1365 mm, height 9,0 mm
- 31x15.5-15 BKT TracMaster ET 0, profile RP, width 1345, height 2335 mm
- 31x15.5-15 BKT TracMaster ET-37, profile RP, width 1418 mm, height 2335 mm
- 33x15.5-15 BKT TracMaster ET-37, profile RP, width 1424 mm, height 2362,5 mm
- 10-16.5 Sure Trax ET40 BKT, profile SureTrax, width 1128 mm, width turned 1300 mm, height 2322,5 mm
- 12-16.5 Sure Trax ET45 BKT, profile SureTrax, width 1175 mm, width turned 1370 mm, height 2357,5 mm

- 305/70 R16.5 ET0 Multiuse 550, profile Multiuse, width 1244 mm, height 2346 mm
- 315/55R16 Conti MPT81 ET-30, profile MPT81, width 1302mm, height 2305 mm
- Tires turned

#### Loading system

- P-kinematics lifting height (3200 mm)
- PZ-kinematics lifting height (3200 mm)

#### Quick change plates

- Weidemann HV/HT - C - ECS (hydraulic - easy coupler system)
- Euro (hydraulic - ISO23206 EURO HV) (incl. two couplers SVK size 3)
- SkidSteer (hydraulic - SAEJ2513 SSL HV)
- SMS (hydraulic)
- Kramer HV/WL - C (hydraulic)
- Lowering brake valve (pipe breakage protection for lifting and tilting cylinder) incl. Float position
- Load swing damping
- Bucket level indicator

#### Hydraulics

- Shell PANOLIN S4 HLP Synth 46 (bio hydraulic oil)

#### Hydraulics in front

- 3rd Control circuit proportional (operation: Via control wheel at front of joystick), incl. continuous function via switch, pressure relief 3rd Control circuit at the front of the loading system, oil quantity adjustment
- 4th Control circuit proportional serial, incl. continuous function via switch, pressure relief 4th Control circuit at the front of the loading system, operation: Via control wheel on top of joystick
- Working hydraulics (58.5 l/min) Large pump
- High flow - power hydraulics single-acting (84 l/min.), (two couplings 1 x Flatface size 4A, plug / 1x Flatface size 4A, socket), Operation: Via switch (0 - 1)
- Front pressureless return (1 x Flatface size 3, plug) incl. leakage oil line (1 x Flatface size 2, plug)
- Quick coupling Faster 2-fold - machine side
- Quick coupling Faster 2-fold - machine side + attachment side
- Quick coupling Faster 2x 2-fold - machine side
- Quick coupling Faster 2x 2-fold - machine side + attachment side

#### Hydraulics in rear

- One rear hydraulic connection double-acting via change-over valve (two couplings SVK size 3), (3rd control circuit at the front or rear Via switch (0 - 1) + 3rd control circuit
- Two hydraulic connections rear double-acting (four couplings SVK size 3) incl. separate control valve (25 l/min.), operation: Via 2 switches (1 - 0 - 2)
- Pressureless return at the rear (1 x SVK size 3, plug) incl. leakage oil line (1 x Flatface size 2, plug)

#### Electrical system

- Additional control unit
- Battery disconnect switch 2 circuits (disconnection of the on-board power supply and the generator from the battery via 2 switching paths)

#### Electrical connections in front

- Socket front 13-pin (2x electric functions E1/ E2 and lighting), (Operation: Via 2 buttons on the joystick; 1st Function push-button, 2nd Function latching)
- Socket front 13-pin (2x electric functions E1/ E2 and lighting), (Operation: Via 2 buttons on the joystick; 1st Function latching, 2nd Function push-button)
- Socket front 13-pin (2x electric functions E1/ E2 and lighting), (Operation: Via 2 buttons on the joystick; 1st Function push-button, 2nd Function push-button)
- Socket front 13-pin (2x electric functions E1/ E2 and lighting), (Operation: Via 2 buttons on the joystick; 1st Function latching, 2nd Function latching)

#### Electrical connections in rear

- Rear 3-pin socket (2x electric functions E3/ E4, switchable to front socket), (Operation: Via switch; 1st Function latching, 2nd Function latching)
- Rear 7-pin socket for lighting rear attachments

#### Safety options

- Reversing warning device (acoustic)
- Immobilizer KAT (Operation: Via coded ignition key)

#### Custom-made paint finish

- Special painting RAL single color - instead of Weidemann red
- Special painting RAL multicolored

**Other**

- Floor plate counterweight (100 kg)
- Floor plate counterweight (180 kg)
- Toolbox, including tool set and hand lever grease press
- Combination box (for combination envelope)
- Combination bag (warning triangle / first aid kit)
- Fully automatic central lubrication unit

**Warranty extension\***

- Economy 24 months (2500 h)
- Economy 36 months (3000 h)
- Economy 48 months (3500 h)
- Economy 60 months (4000 h)
- Premium 24 months (3000 h)
- Premium 36 months (4000 h)
- Premium 48 months (5000 h)
- Premium 60 months (6000 h)

\*The offers regarding the warranty extension in Germany are currently being revised - more information will follow as quickly as possible.

**Trailer and recovery equipment**

- Trailer hitch ball head K50
- Trailer hitch automatic

**Self-propelled work machines with ball hitch**

- Trailer hitch automatic